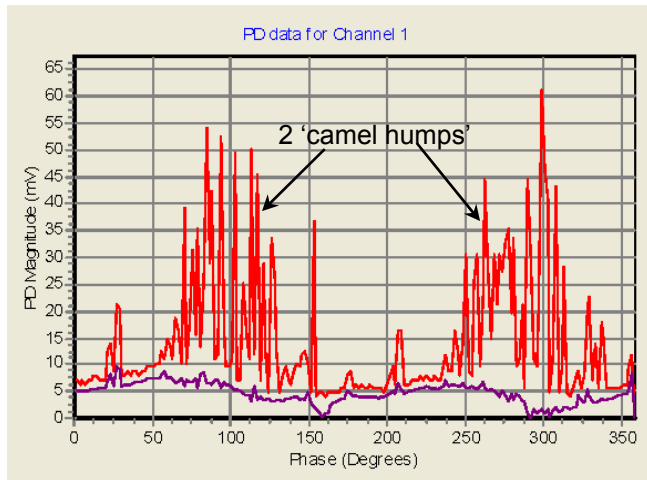
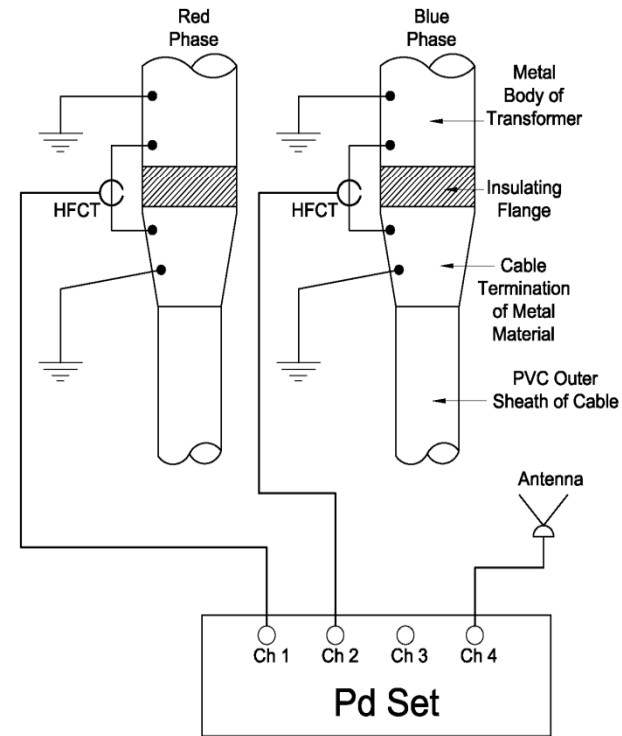
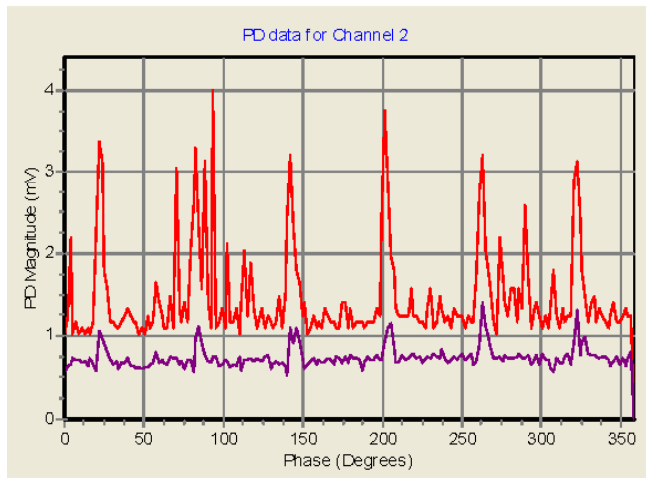


# Case history 5 using on-line Snapshot HFCT method

Measurement done at Red phase



Measurement done at Blue phase



Partial Discharge Equipment used : OSM-ST1 from IPEC, UK  
Mode of measurement : Snapshot

- 1) Date of measurement: 23<sup>rd</sup> Mar 2007
- 2) Type of equipment: 230kV cable termination at transformer
- 3) **Analysis:**
  - Measurement done at 230kV cable termination for 5 minutes on line voltage.
  - 2 'camel humps' detected at Red phase whereas none was evident at Blue phase.